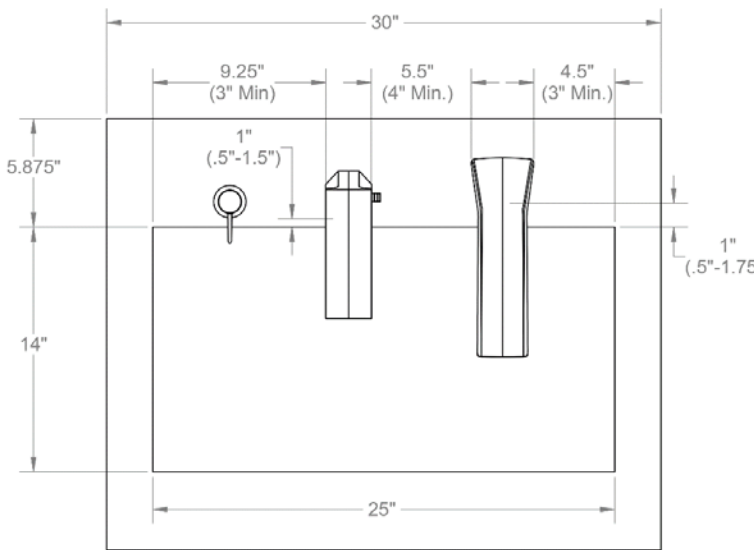


XLERATORsync Hand Dryer Design Guidelines

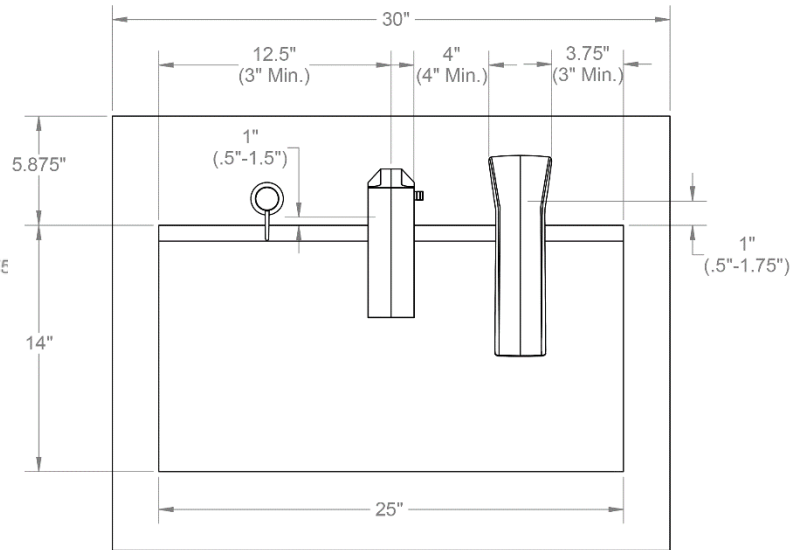
Dryer Placement Parameters

- Minimum of 4" between dryer spout and water faucet.
- Minimum of 3" between dryer spout or water faucet with side of sink.
- .5"-1.5" between base of water faucet and edge of sink.
- 1"-1.75" between base of dryer spout and edge of sink.

Optimal Dryer Placement (Forward Sloping Sink)

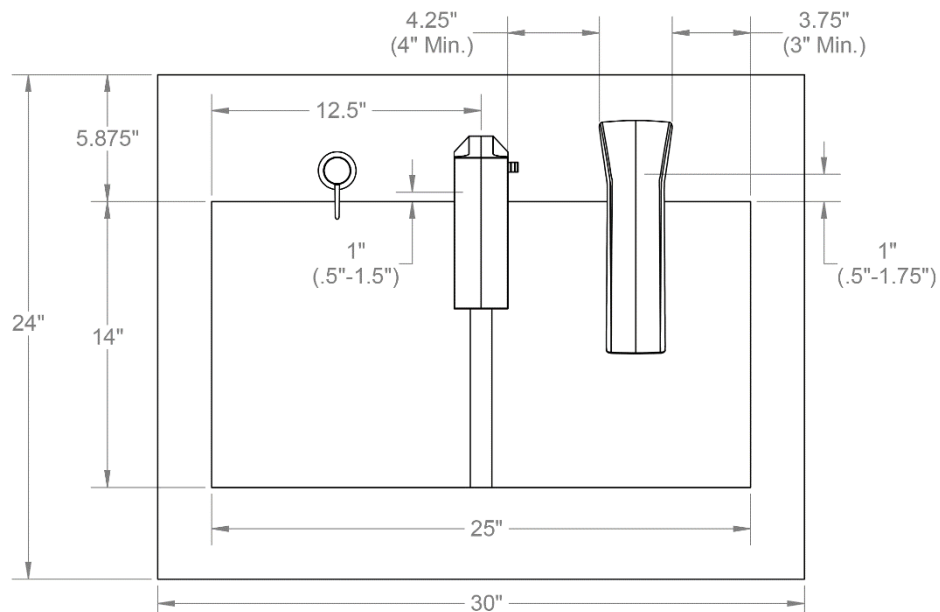


Faucet-Off Center



Faucet-On Center

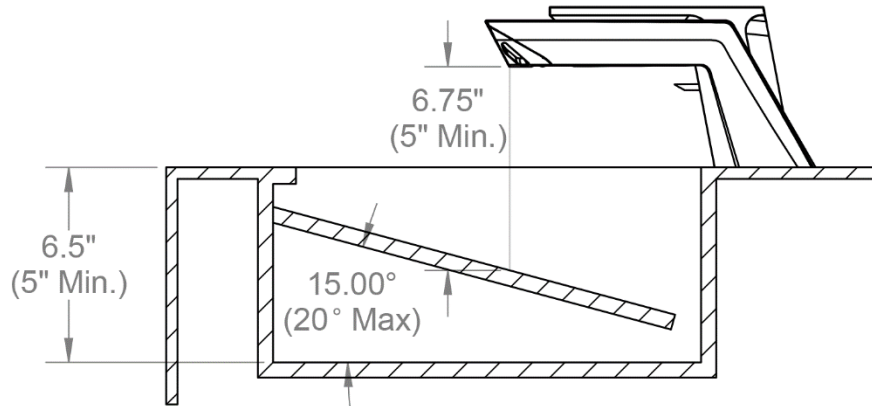
Optimal Dryer Placement (Horizontal Sloping Sink)



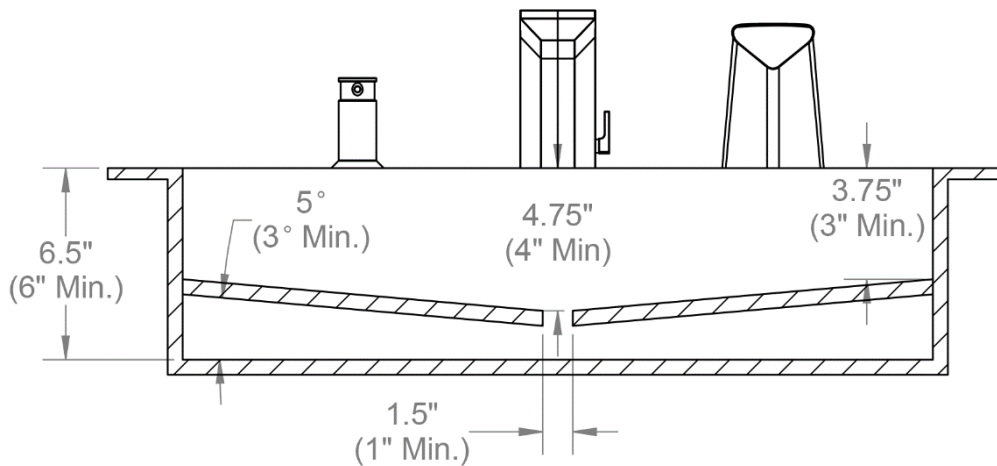
Sink Dimension Parameters

- Minimum of 14" between front and back of sink.
- Minimum of 5" for basin depth.
- Maximum of 20° for forward sloping sinks.
- Minimum of 3" depth for raised features (sloped in horizontal direction).

Optimal Sink Dimensions (Forward Slope)



Optimal Sink Dimensions (Horizontal Slope)



Design Considerations

- Sinks that drain directly under water faucet will have less water deflection from air flow.
- Overhanging lip on edge of sink can further decrease water and air deflection.
- Sloping sinks in the horizontal direction tend to have less air/water deflection than forward sloping sinks.
- Sinks should not have an exposed drain to eliminate airflow blowing over or into the drain. Infinity style or covered drains are highly recommended.